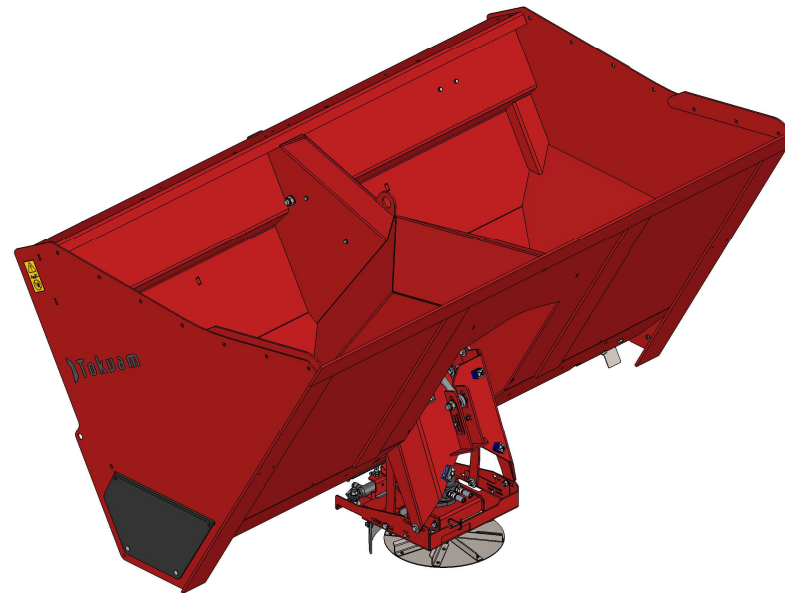


Deleliste/Parts list

Art.nr/no 14905

TSA 2100 selvlastende tallerkenspreder / TSA 2100 Self-loading disc spreader

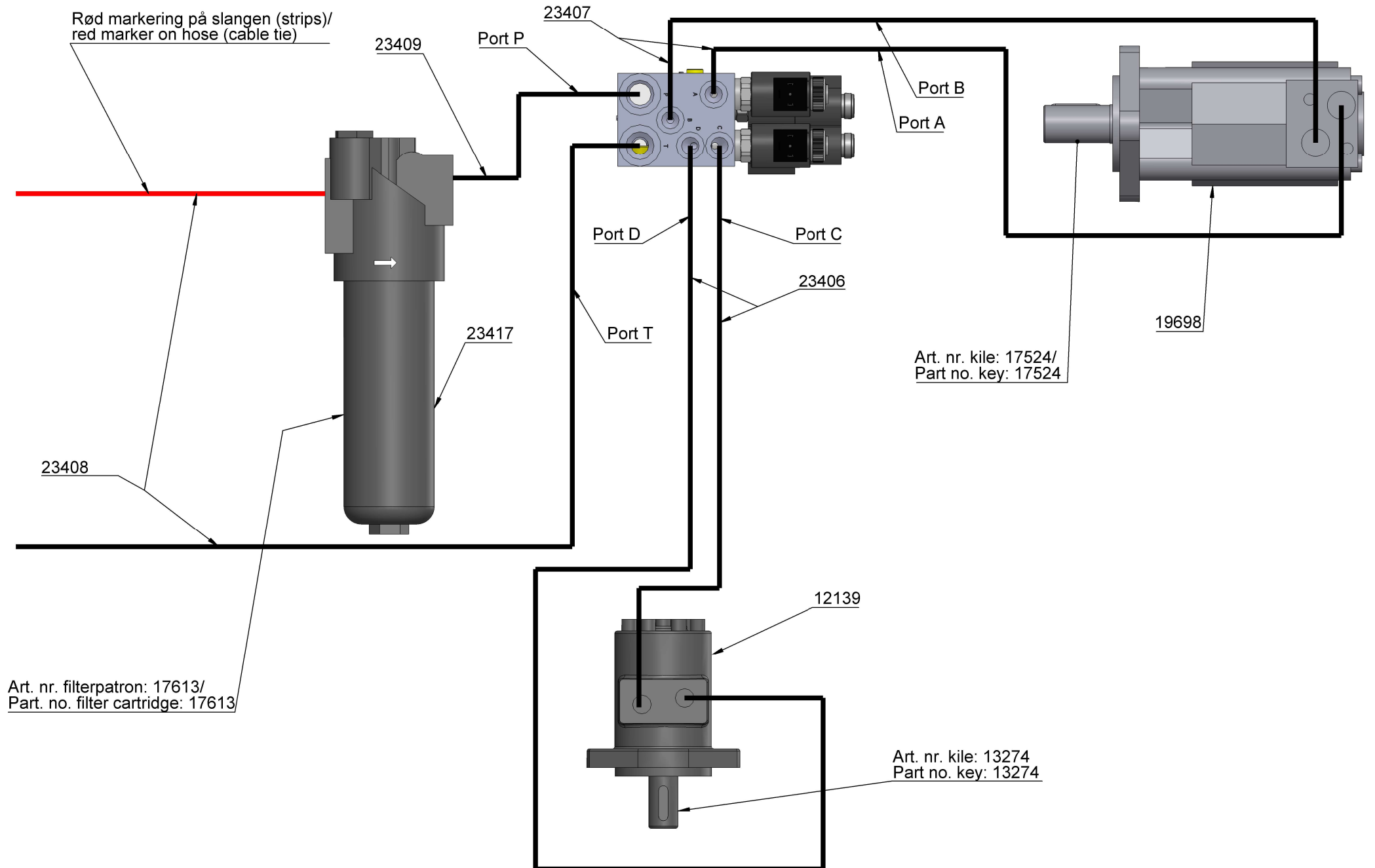
Rev.	Date	Designer
G	09.02.2026	OC

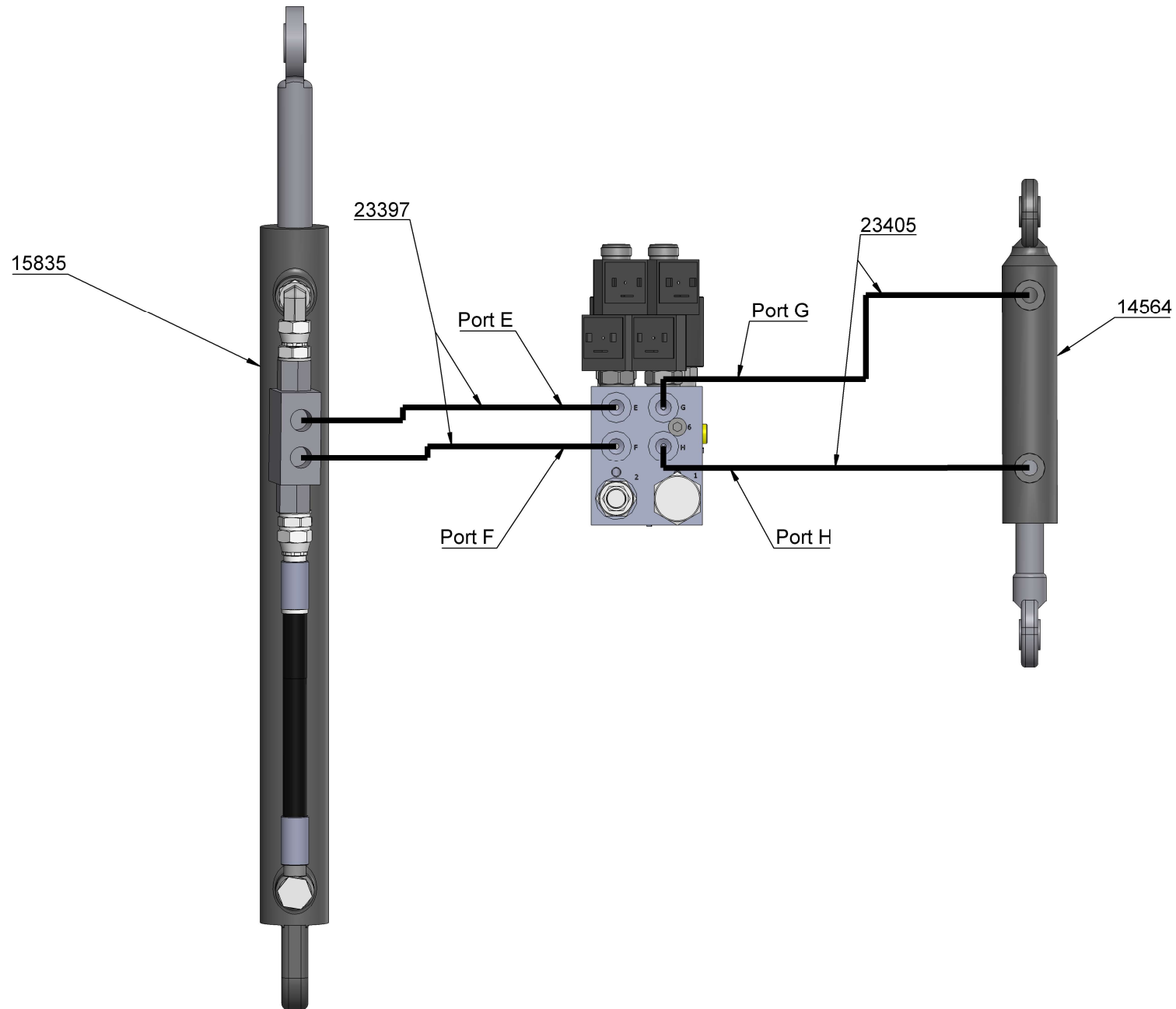


Generell informasjon:
Alle skruer skal smøres med fett for rustfrie skruer.

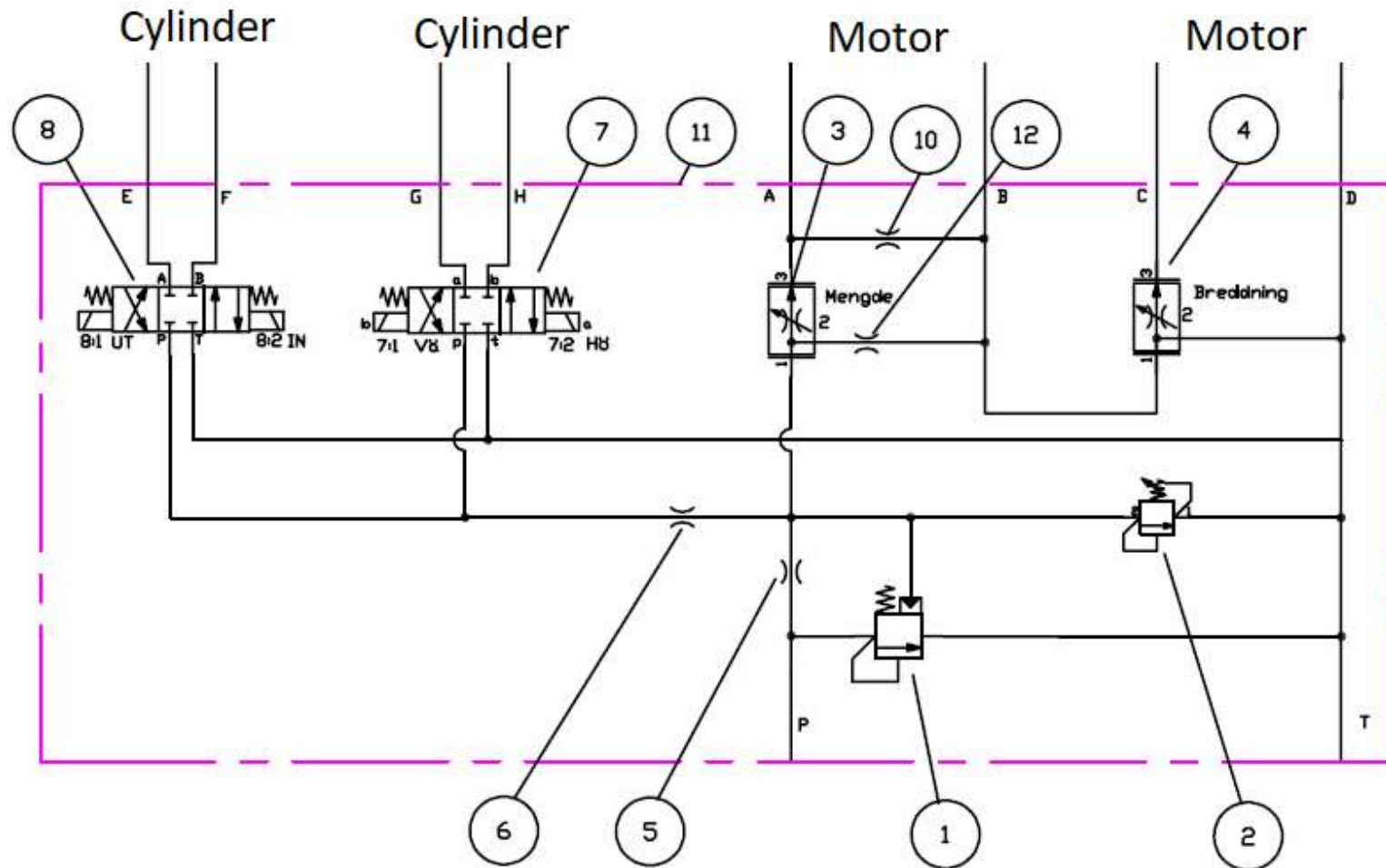
General information:
Use grease for stainless steel screws on all screws.

Navn / Name	Art nr/no	CE nr/no
TSA 2100 selvlastende tallerkenspreder / TSA 2100 Self-loading disc spreader	14905	CE 4725009

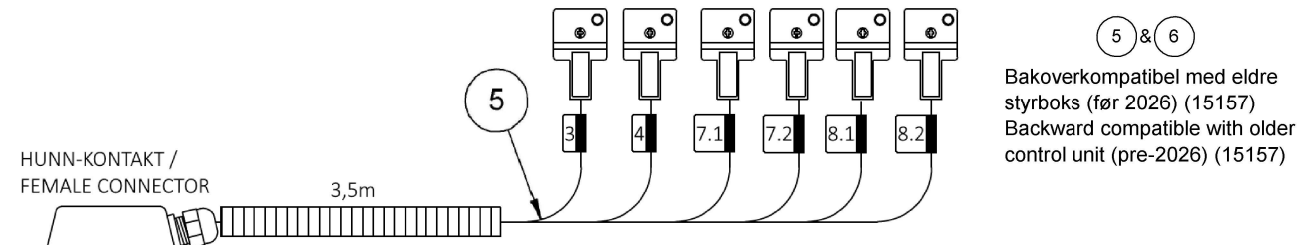
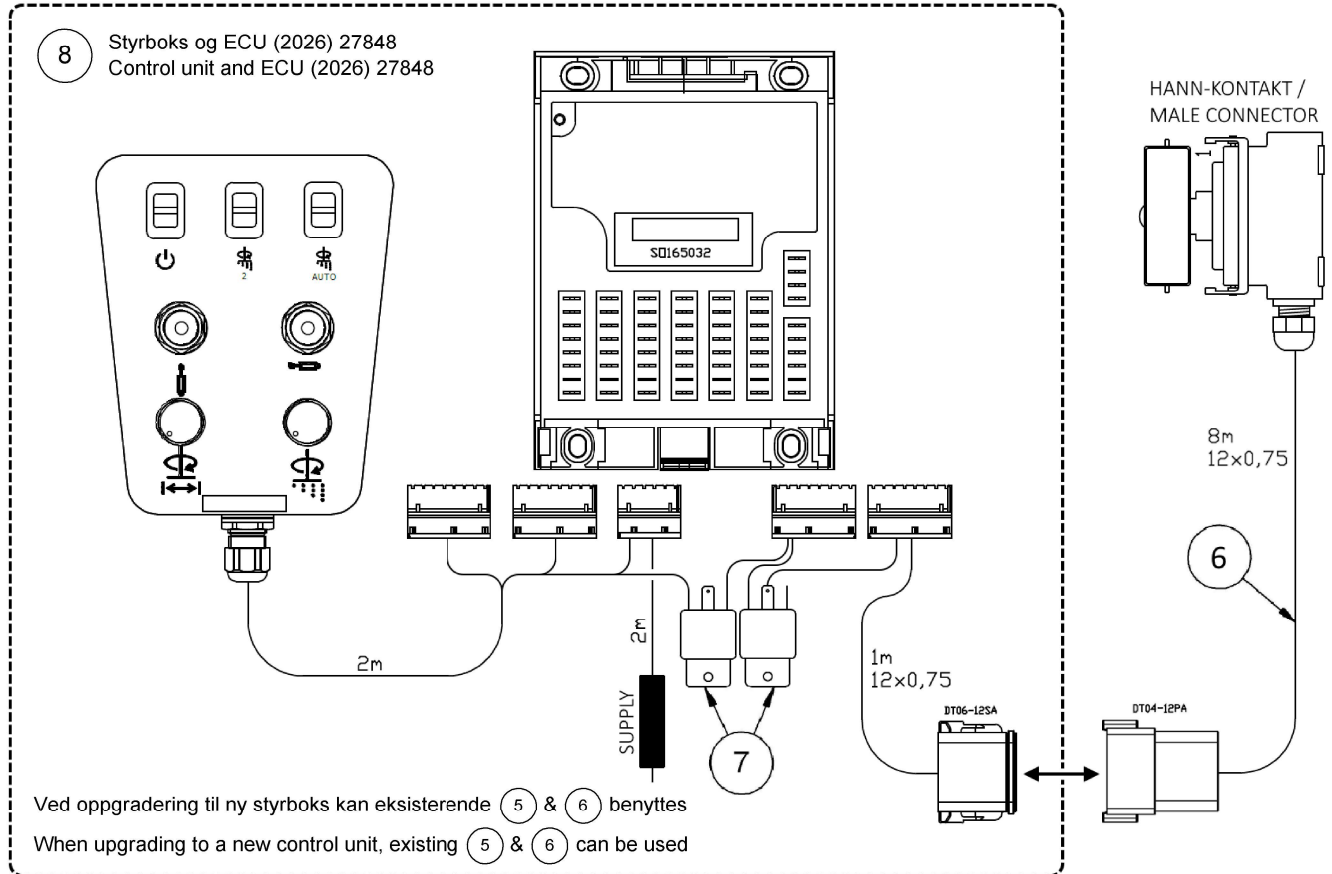
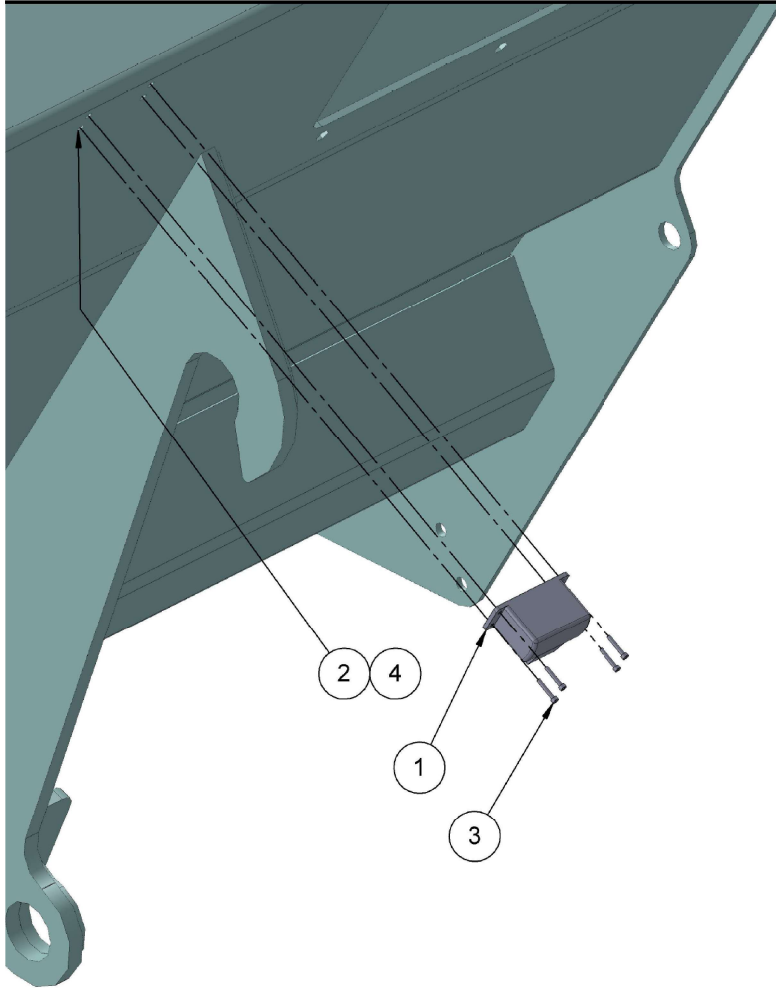




VBESH-B-540400-2100

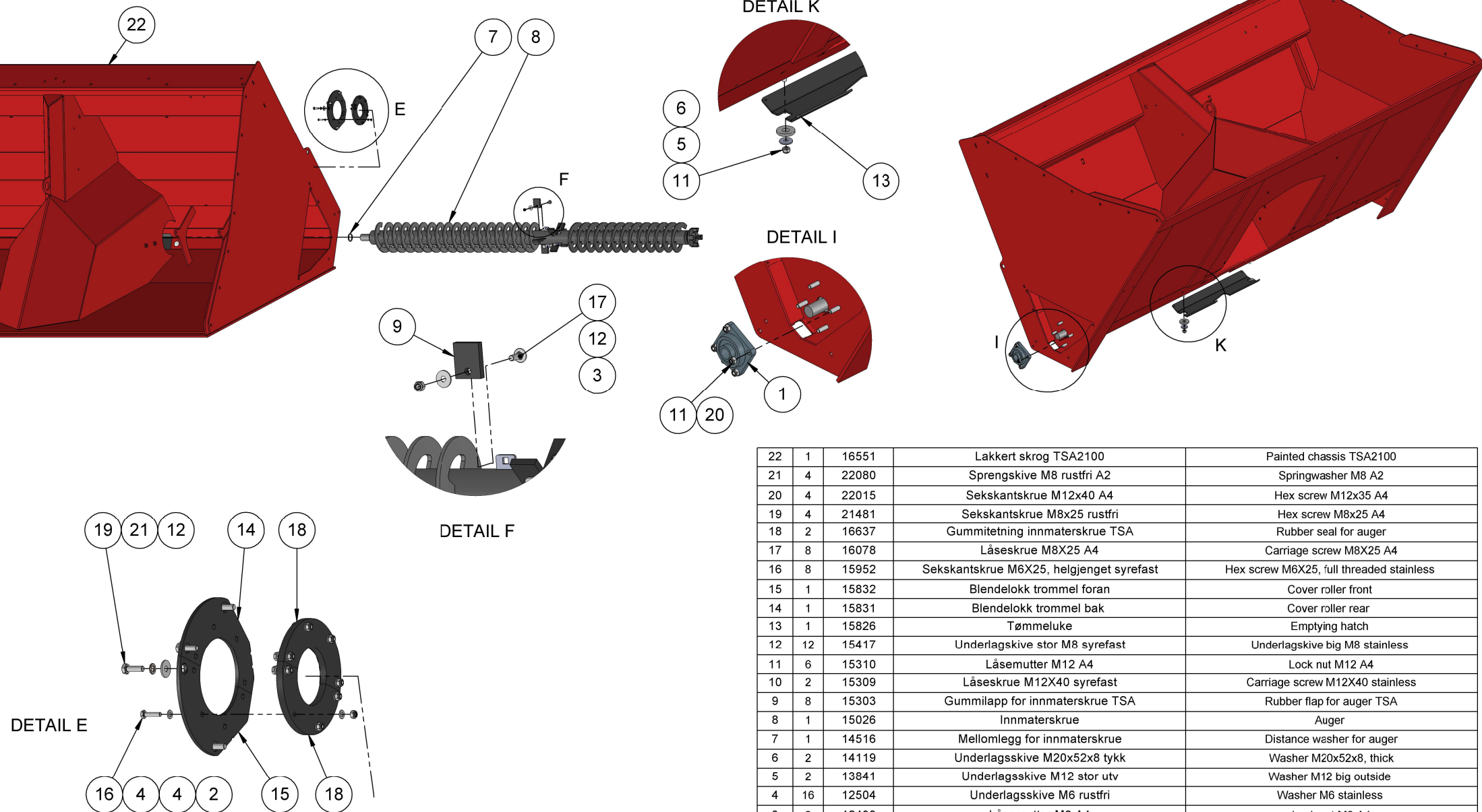


TSA 2100 selvlastende tallerkenspreder
TSA 2100 Self-loading disc spreader

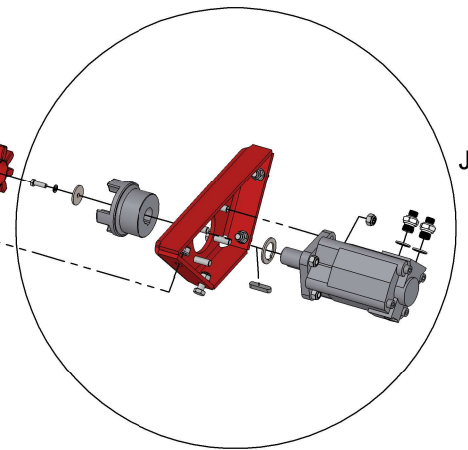
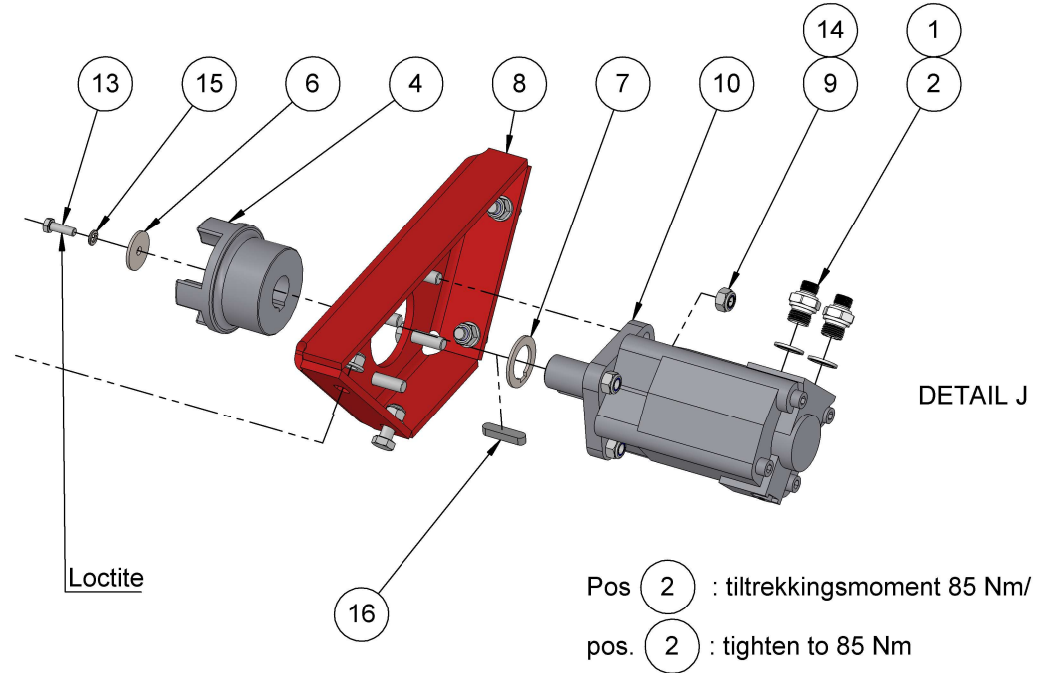
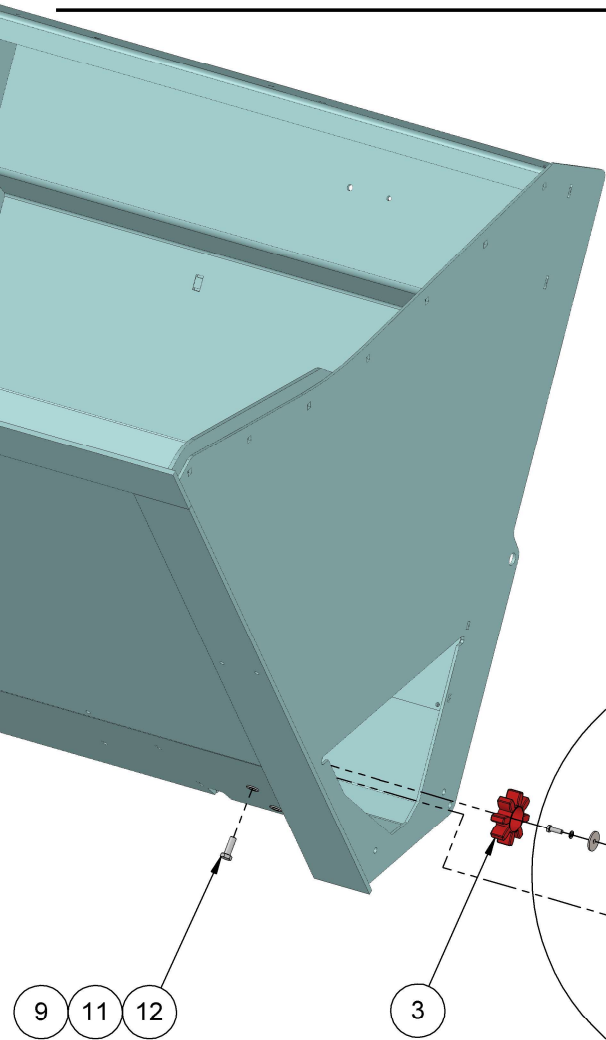


Pos.	Qty.	Art.no.	Description	EngDescription
4	4	10289	Låsemutter M3	M3 locknut
3	4	27483	Innv. 6-kantskrue M3x20	Internal hex screw M3x20
2	4	25237	Underlagsskive M3 stor utv	Washer M3 large outer diameter
1	1	27478	Kontakt for parkering av GW HDC	Contact for storing GW HDC

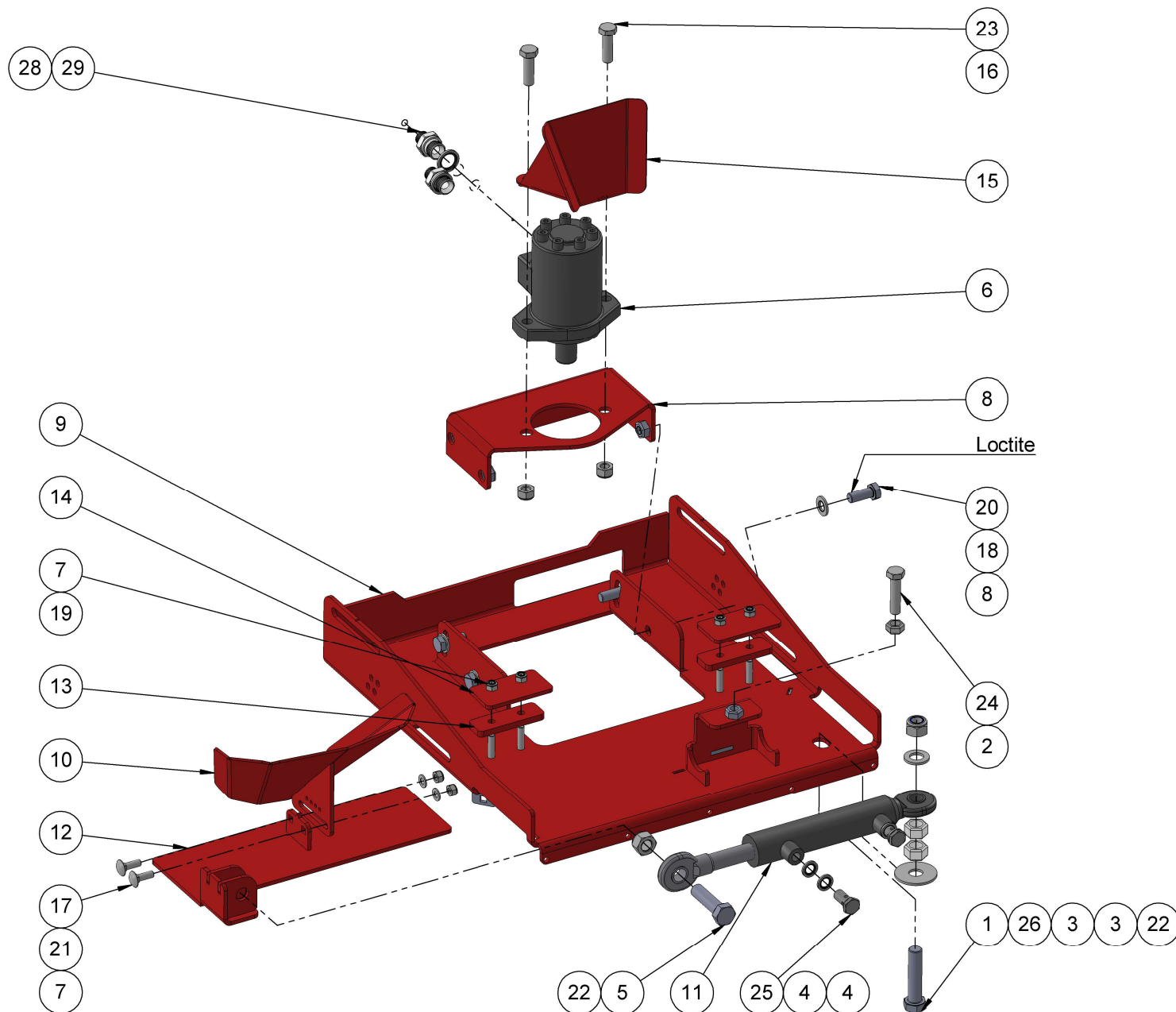
Art. no:	27475	El. styring inkl. kabler for TSA	El. controller incl. cables for TSA	
8	1	27848	Styrboks, ECU og Rele	Control unit, ECU and relay
7	2	27831	Rele 24V 10/20 A	Relay 24V 10/20A
		27513	Rele 12V 10/20 A	Relay 12V 10/20A
6	1	27344	Kabel - Deutch til GW HDC Hann 8m	Cable - Deutch to GW HDC Male 8m
5	1	27476	Kabel til ventiler TSA 2100	Cable for valves TSA 2100
Pos.	Qty.	Art.no.	Description	EngDescription



22	1	16551	Lakkert skrog TSA2100	Painted chassis TSA2100
21	4	22080	Sprengskive M8 rustfri A2	Springwasher M8 A2
20	4	22015	Sekskantskrue M12x40 A4	Hex screw M12x35 A4
19	4	21481	Sekskantskrue M8x25 rustfri	Hex screw M8x25 A4
18	2	16637	Gummitetning innmaterskrue TSA	Rubber seal for auger
17	8	16078	Låseskrue M8X25 A4	Carriage screw M8X25 A4
16	8	15952	Sekskantskrue M6X25, helgjenget syrefast	Hex screw M6X25, full threaded stainless
15	1	15832	Blendelukk trommel foran	Cover roller front
14	1	15831	Blendelukk trommel bak	Cover roller rear
13	1	15826	Tømmeluke	Emptying hatch
12	12	15417	Underlagsskive stor M8 syrefast	Underlagsskive big M8 stainless
11	6	15310	Låsemutter M12 A4	Lock nut M12 A4
10	2	15309	Låseskrue M12X40 syrefast	Carriage screw M12X40 stainless
9	8	15303	Gummilapp for innmaterskrue TSA	Rubber flap for auger TSA
8	1	15026	Innmaterskrue	Auger
7	1	14516	Mellomlegg for innmaterskrue	Distance washer for auger
6	2	14119	Underlagsskive M20x52x8 tykk	Washer M20x52x8, thick
5	2	13841	Underlagsskive M12 stor utv	Washer M12 big outside
4	16	12504	Underlagsskive M6 rustfri	Washer M6 stainless
3	8	12498	Låsemutter M8 A4	Lock nut M8 A4
2	8	12252	Låsemutter M6 syrefast	Lock nut M6 stainless
1	1	10114	Flenslager UCF 207	Flanged bearing UCF207
Pos.	QTY.	Art.no.	Description	EngDescription



16	1	17524	Kile 10X8X45 avrundet	Key 10X8X45 rounded
15	1	22080	Sprengskive M8 rustfri A2	Springwasher M8 A2
14	4	22015	Sekskantskrue M12x40 A4	Hex screw M12x35 A4
13	1	21481	Sekskantskrue M8x25 rustfri	Hex screw M8x25 A4
12	4	21477	Sekskantskrue M12x35 A4	Hex screw M12x35 A4
11	8	21432	Underlagsskive M12 rustfri	Washer M12 A4
10	1	19698	Oljemotor OSY 315ccm Ø32 rett KW	Hydraulic motor 315ccm Ø32 w KW
9	8	15310	Låsemutter M12 A4	Lock nut M12 A4
8	1	15022	Motor feste	Motor attachment
7	1	14660	Mellomleggskive 3mm	Distance washer 3mm
6	1	14659	Stoppskive Ø38 utvendig	Washer Ø38
5	1	14516	Mellomlegg for innmaterskrue	Distance washer for auger
4	1	14442	Elastiskkobling ø32 m/kilespor	Elastic coupling ø32KW
3	1	14441	Elastisk element for TSA	Elastic element for TSA
2	2	11028	Ansatsnippel utv/utv 3/8"X1/2"	Straight adaptor male-male 3/8"X1/2"
1	2	10594	Dowtypakning 1/2"	Sealing ring 1/2"
Pos.	QTY.	Art.no.	Description	EngDescription



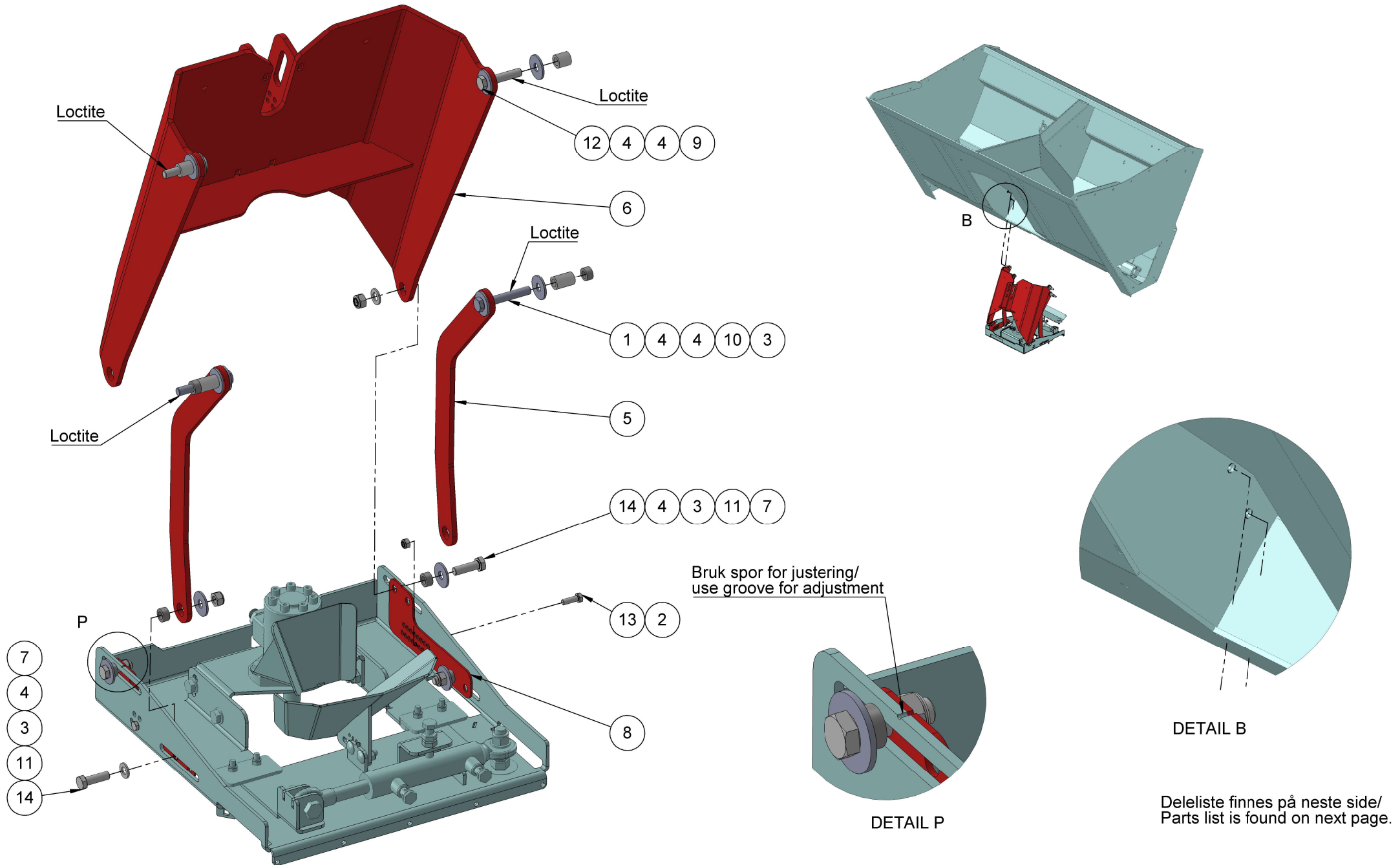
Pos 29 : tiltrekkingsmoment 85 Nm

pos. 29 : tighten to 85 Nm

Deleliste finnes på neste side/
Parts list is found on next page.

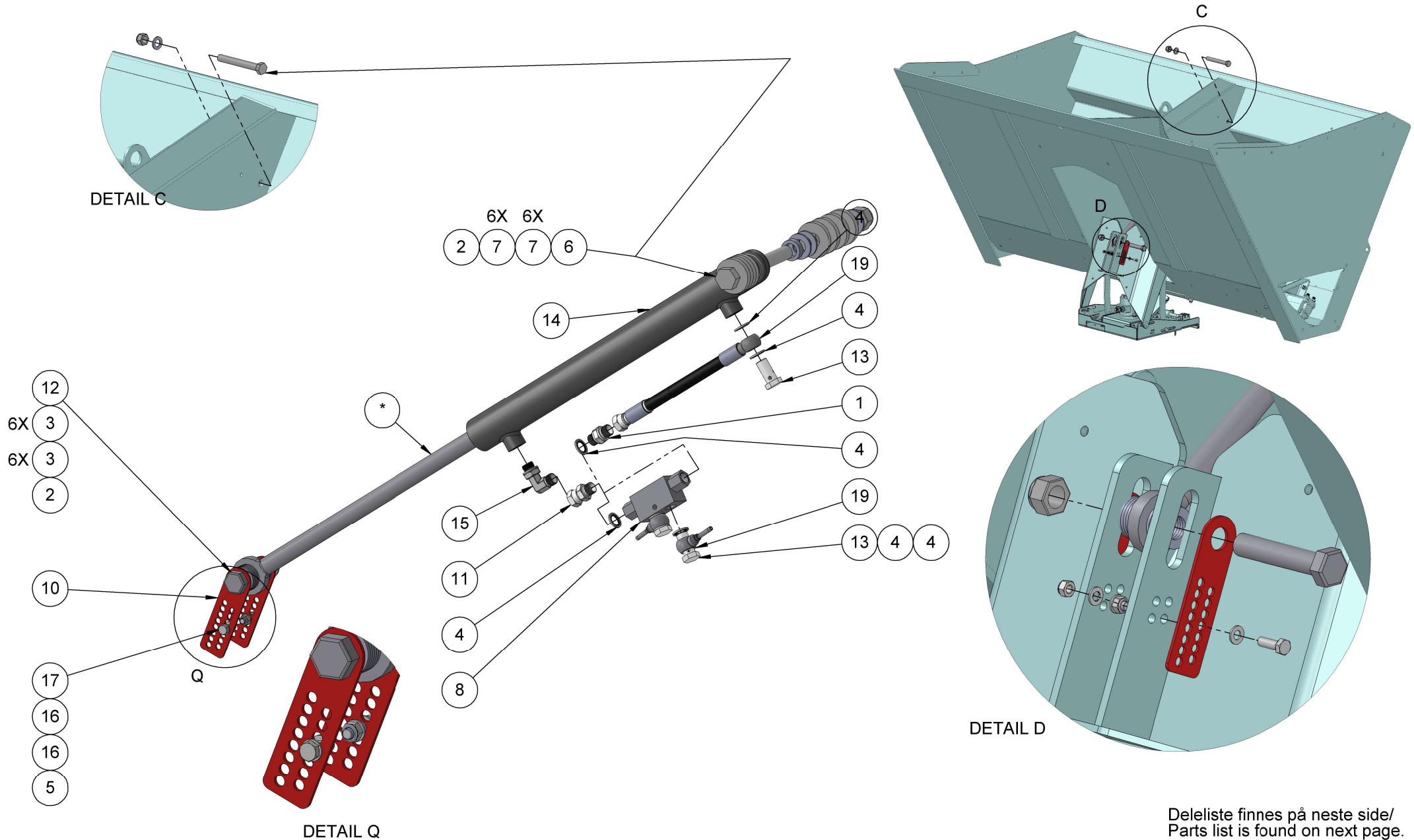
Deleliste for montering av tallerkentopp/
Parts list for assembly of disc top

29	2	11028	Ansatsnippel utv/utv 3/8"X1/2"	Straight adaptor male-male 3/8"X1/2"
28	2	10594	Dowtypakning 1/2"	Sealing ring 1/2"
27	1	21494	Underlagsskive M16 rustfri	Washer M16 A4
26	1	22584	Underlagsskive stor M16 rustfri	Washer big M16 stainless
25	2	22320	Banjobolt 1/4"	Banjo bolt 1/4"
24	1	22026	Sekskantskrue M12x50 rustfri	Hex screw M12x50 A4
23	2	22015	Sekskantskrue M12x40 A4	Hex screw M12x35 A4
22	2	21496	Låsemutter M16 rustfri	Lock nut M16 A4
21	2	21480	Underlagsskive M8 rustfri	Washer M8 A4
20	4	10082	Sekskantskrue M12x30 helgjenget	Hex screw M12x30 full threaded
19	4	21433	Sekskantskrue M8x35 delgjenget rustfri	Hex screw M8x35 half threaded A4
18	4	21432	Underlagsskive M12 rustfri	Washer M12 A4
17	2	16078	Låseskrue M8X25 A4	Carriage screw M8X25 A4
16	2	15310	Låsemutter M12 A4	Lock nut M12 A4
15	1	15292	Forovervendt trakt	Forward facing funnel
14	2	14648	Skinne trakt 5mm	Rail for funnel 5mm
13	2	14647	Skinne trakt 8mm	Rail for funnel 8mm
12	1	14571	Sideforsyving TSA	Side offset
11	1	14564	Sylinder 32x20x100 I17 I17	Cylinder 32x20x100 I17 I17
10	1	14562	Trakt	Funnel
9	1	14561	Tallerkentopp	Disc top
8	1	14535	Motortilt plate TSA	Motor tilt plate TSA
7	6	12498	Låsemutter M8 A4	Lock nut M8 A4
6	1	26509	Oljemotor OP 50 Ø25 KW	Hydraulic motor OP 50 Ø25 KW
5	1	12028	Sekskantskrue M16x60 helgjenget	Hex screw M16x60 full threaded
4	4	11110	Dowtypakning 1/4"	Sealing ring 1/4"
3	2	10779	Mutter M16	Nut M16
2	1	10205	Mutter M12	Nut M12
1	1	10147	Sekskantskrue M16x70 helgjenget	Hex screw M16x70 full threaded
Pos.	QTY.	Art.no.	Description	EngDescription



Deleliste for montering av tallerkentopp på sprederen/
Parts list for mounting disc top to the spreader

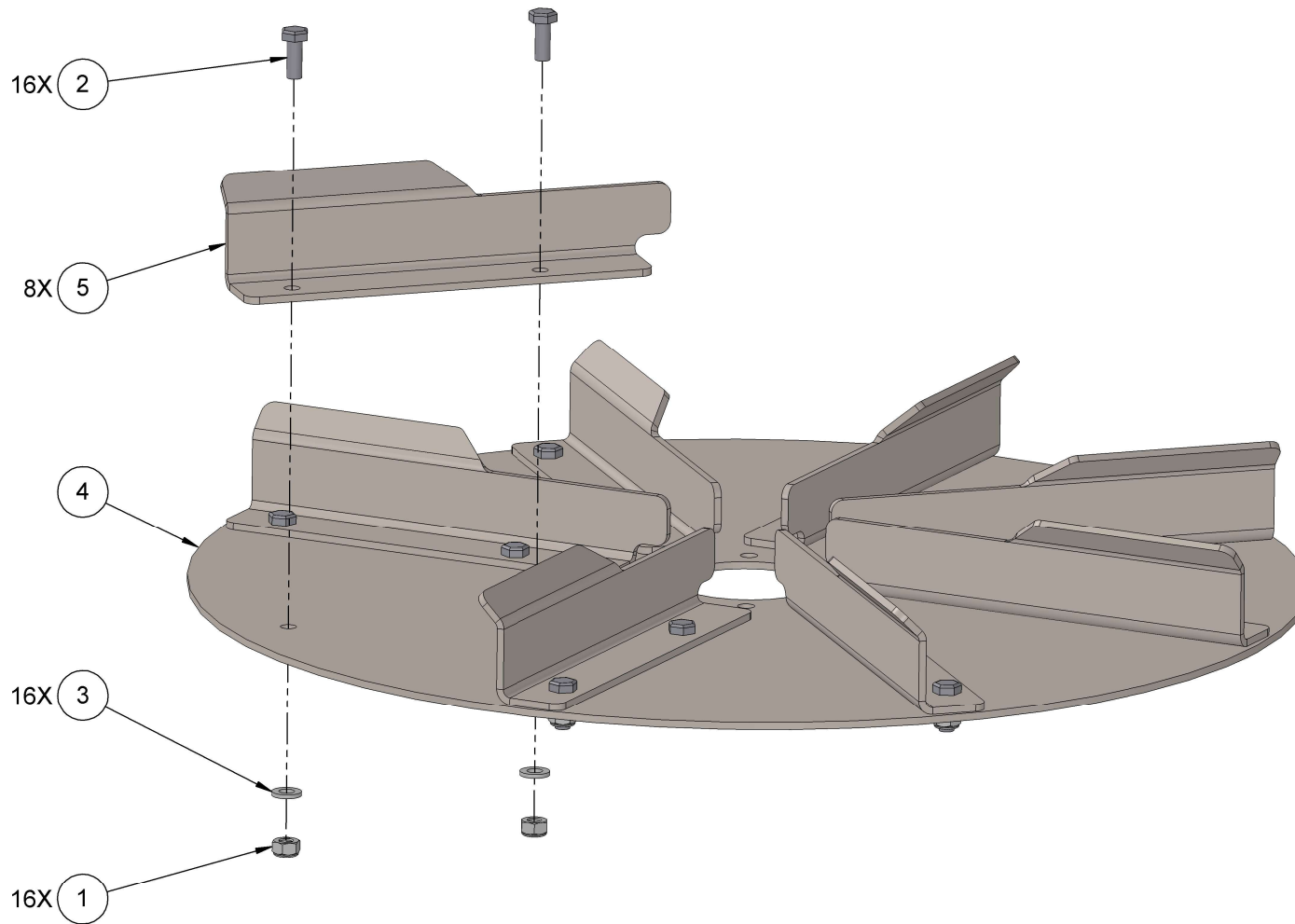
14	4	22015	Sekskantskrue M12x40 A4	Hex screw M12x35 A4
13	2	21481	Sekskantskrue M8x25 rustfri	Hex screw M8x25 A4
12	2	21473	Sekskantskrue M12x60 delgj. rustfri	Hex screw M12x60 half threaded A4
11	4	21432	Underlagsskive M12 rustfri	Washer M12 A4
10	2	15684	Foring Ø20X30mm	Bushing Ø 20x30mm
9	2	15683	Foring Ø20x20mm	Bushing Ø20x20mm
8	2	15355	Tallerkentopp justering pl	Disc top adjustment plate
7	4	15310	Låsemutter M12 A4	Lock nut M12 A4
6	1	15025	Bakre parallell stag TSA2100	Rear parallell link TSA2100
5	2	15010	Parallellstag	Parallel link
4	12	13841	Underlagsskive M12 stor utv	Washer M12 big outside
3	10	12935	Foring Ø20x10mm	Bushing Ø 20x10mm
2	2	12498	Låsemutter M8 A4	Lock nut M8 A4
1	2	10152	Sekskantskrue M12x80 delgjendet	Hex screw M12x80 half threaded
Pos.	QTY.	Art.no.	Description	EngDescription



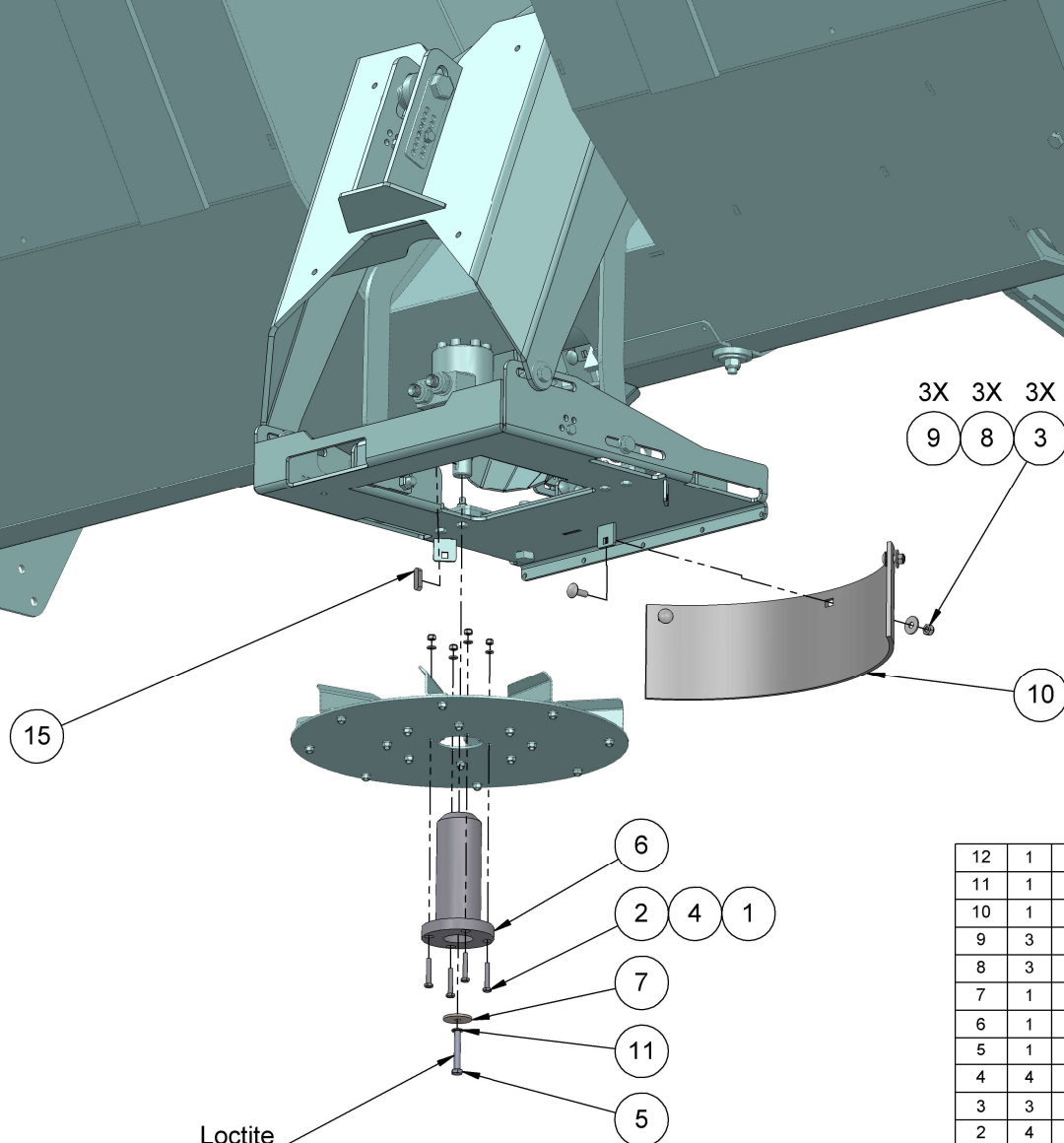
Deleliste finnes på neste side/
 Parts list is found on next page.

Deleliste for løftesyylinder/
Parts list for lifting cylinder

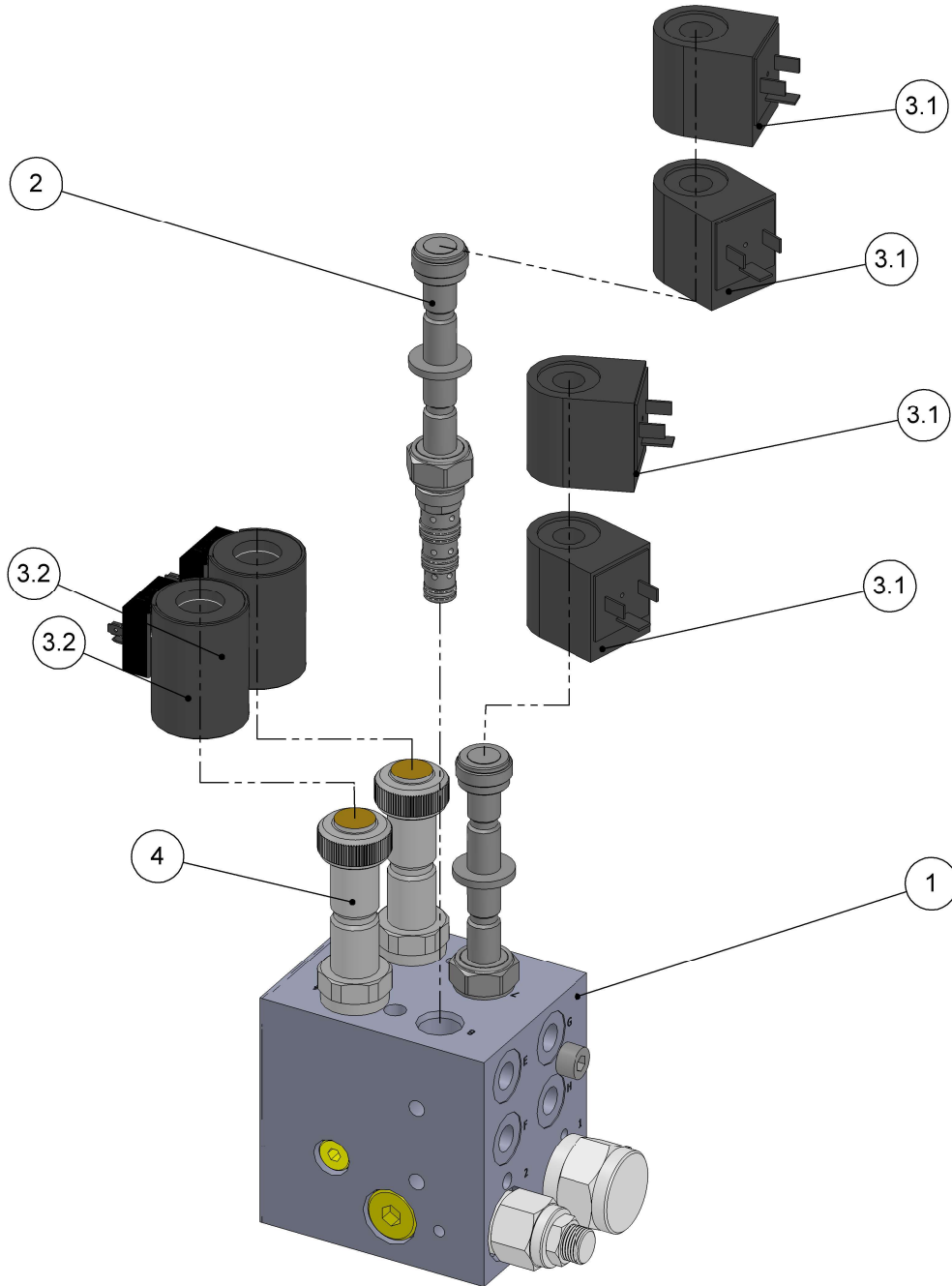
19	2	23397	1/4" Slange 1700mm 1/4"sv - 3/8"banjo (6)	1/4" hose 1700mm 1/4"sv - 3/8"banjo (6)
19	1	22805	3/8" slange 210mm 3/8" Banjo-3/8" rett svi	3/8" hose 210mm 3/8" Banjo-3/8" straight svi
17	2	21481	Sekskantskrue M8x25 rustfri	Hex screw M8x25 A4
16	4	21480	Underlagsskive M8 rustfri	Washer M8 A4
15	1	17203	90 grader 3/8" justerbar	90 degree 3/8" adjustable
14	1	15835	Sylinder 40X25X400	Cylinder 40X25X400
13	3	15665	Banjobolt 3/8"	Banjobolt 3/8"
12	1	15520	Sekskantskrue M20x100	Hex screw M20x100
11	1	15504	Ansatsnippel utv/svivel 3/8"x3/8"	Straight adaptor male/female 3/8"x3/8"
10	2	15020	Justeringsplate	Adjustment board
9	2	14657	Mellomlegg sylindrefeste	Distance washer for cylinder
8	1	14651	Tilbakeslagsventil Pilot styrt	Check valve Pilot controlled
7	8	14119	Underlagsskive M20x52x8 tykk	Washer M20x52x8, thick
6	1	14118	Sekskantskrue M20X160, delgjennet	Hex screw M20x160 half-threaded.
5	2	12498	Låsemutter M8 A4	Lock nut M8 A4
4	8	10275	Dowtypakning 3/8"	Dowty gasket 3/8"
3	17	10123	Underlagsskiver M20	Washer M20
2	2	10122	Låsemutter M20	Lock nut M20
1	1	10071	Ansatsnippel bsp utv/utv 3/8"X3/8"	Straight adaptor bsp male-male 3/8"X3/8"
Pos.	QTY.	Art.no.	Description	EngDescription



5	8	14570	Blad for tallerken	Wing for disc
4	1	14569	Tallerken hoved pl	Disc plate
3	16	12504	Underlagsskive M6 rustfri	Washer M6 stainless
2	16	12309	Sekskantskrue M6X16 Rustfri	Hex screw M6X16 stainless
1	16	12252	Låsemutter M6 syrefast	Lock nut M6 stainless
Pos.	QTY.	Art.no.	Description	EngDescription



12	1	13274	Kile 8X7X30	Key 8X7X30
11	1	22080	Sprengskive M8 rustfri A2	Springwasher M8 A2
10	1	16825	Gummi skvettlapp for tallerkentopp TSA	Rubber flap for disc top TSA
9	3	16078	Låseskrue M8X25 A4	Carriage screw M8X25 A4
8	3	15417	Underlagsskive stor M8 syrefast	Underlagsskive big M8 stainless
7	1	14659	Stoppsskive Ø38 utvendig	Washer Ø38
6	1	14565	Boss for tallerken	Boss for disc
5	1	11873	Sekskantskrue M8x55 helgjenget	Hex screw M8x55 full threaded
4	4	12504	Underlagsskive M6 rustfri	Washer M6 stainless
3	3	12498	Låsemutter M8 A4	Lock nut M8 A4
2	4	12254	Sekskantskrue M6x35 helgjenget syrefast	Hex screw M6X35 full-threaded stainless
1	4	12252	Låsemutter M6 syrefast	Lock nut M6 stainless
Pos.	QTY.	Art.no.	Description	EngDescription



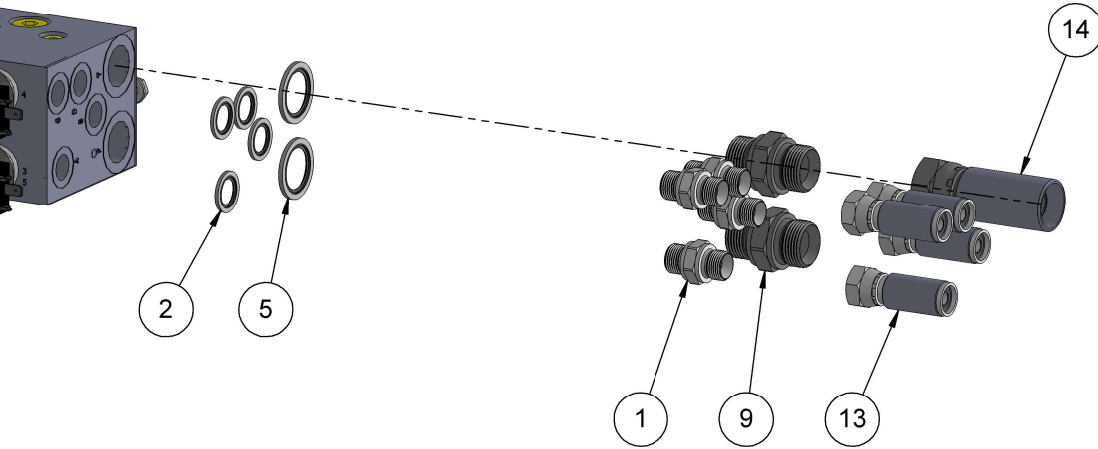
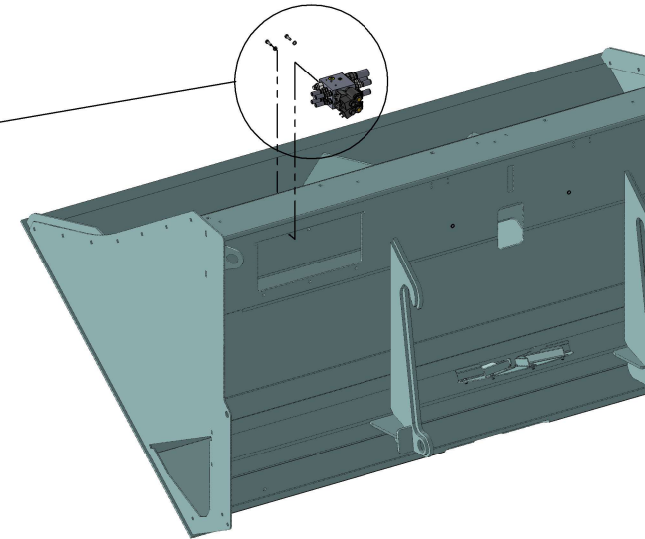
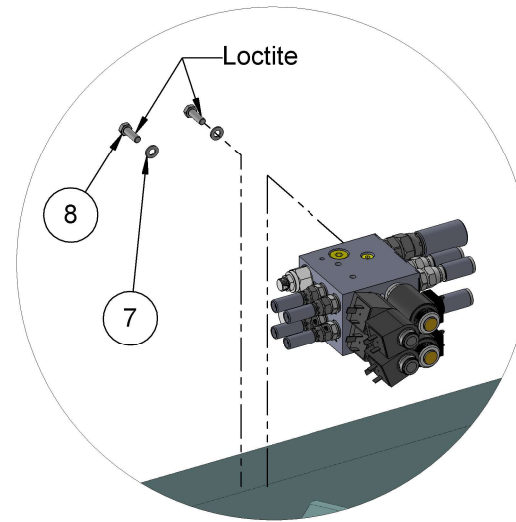
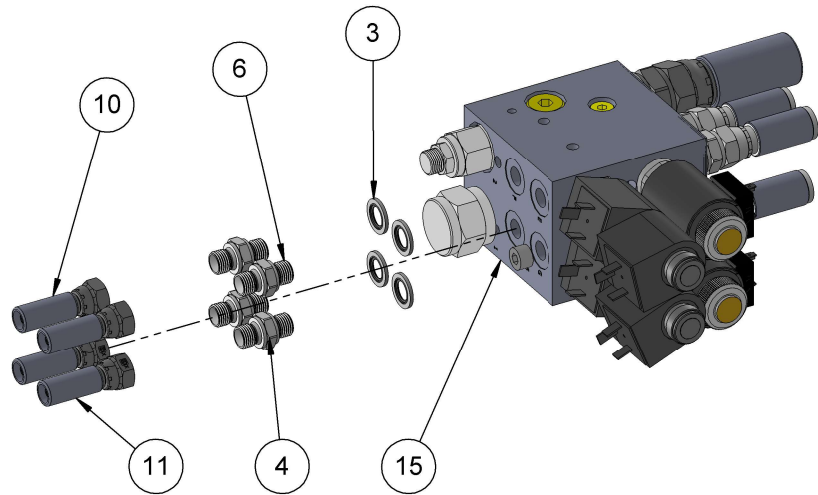
Standardkonfigurasjon / Standard configuration

Pos.	QTY.	Art.no	Description	EngDescription
3	1	17598	Magnet Set TSA2100 24V for block 17585	
3.2	4	17589	Magnet 4-veisventil for blokk 17585 24V	Magnet 4-way valve for block 17585 24V
3.1	2	17587	Magnet prop.ventil for blokk 17585 24V	Magnet proportional valve for block 17585 24V

Ekstrautstyr / Additional equipment

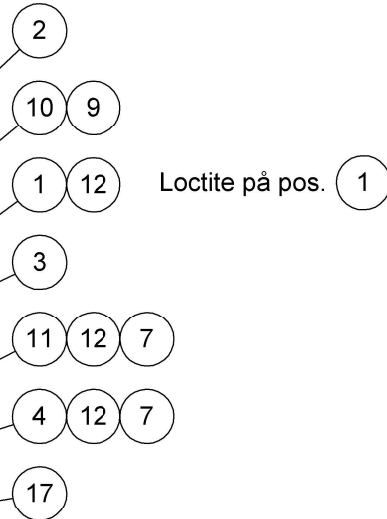
Pos.	QTY.	Art.no	Description	EngDescription
3	1	17599	Magnet Set TSA2100 12V for block 17585	
3.2	4	17590	Magnet 4-veisventil for blokk 17585 12V	Magnet 4-way valve for block 17585 12V
3.1	2	17591	Magnet prop.ventil for blokk 17585 12V	Magnet proportional valve for block 17585 12V

Pos.	QTY.	Art.no.	Description	EngDescription
4	1	17586	Ventilelement proposjonal for blokk 17585	Proportional valve for block 17585
2	1	17588	Ventilelement 4-veis for blokk 17585	Valve element 4-way for block 17585
1	1	17585	Ventilblokk for TSA/TSM 1500-2100 m/ventiler	Valve block for TSA/TSM 1500-2100 w/valves



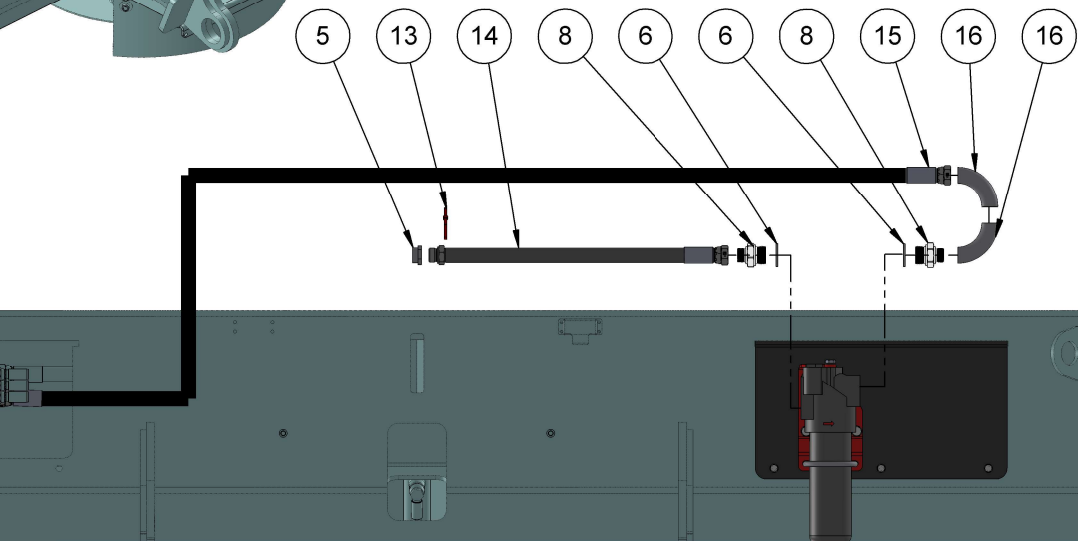
Pos 1, 4, 6, 9:
Tiltrekingsmoment 85 Nm/ Tighten to 85 Nm

Pos.	QTY.	Art.no.	Description	EngDescription
15	1	23595	Ventilblokk TSA2100	Valve block TSA2100
14	1	23408	3/4" Slange 2500mm 3/4" utv - 3/4"sv (1)	3/4" hose 2500mm 3/4" male - 3/4"sv (1)
13	2	23407	3/8" Slange 1600mm 3/8"sv - 3/8"sv (2)	3/8" hose 1600mm 3/8"sv - 3/8"sv (2)
12	2	23406	3/8" Slange 2600mm 3/8"sv - 3/8"sv (3)	3/8" hose 2600mm 3/8"sv - 3/8"sv (3)
11	2	23405	1/4" Slange 3850mm 1/4"sv - 1/4" banjo (5)	1/4" hose 3850mm 1/4"sv - 1/4" banjo (5)
10	2	23397	1/4" Slange 1700mm 1/4"sv - 3/8"banjo (6)	1/4" hose 1700mm 1/4"sv - 3/8"banjo (6)
9	2	22197	Ansatsnippel bsp utv/utv 3/4" x 3/4"	Straight adaptor bsp male-male 3/4" x 3/4"
8	2	21481	Sekskantskrue M8x25 rustfri	Hex screw M8x25 A4
7	2	21480	Underlagsskive M8 rustfri	Washer M8 A4
6	1	15365	Ansatsnippel 1/4" med 0,8mm hull	Straight adaptor 1/4" with 0,8mm hole
5	2	13036	Dowtypakning 3/4"	Sealing ring 3/4"
4	3	12846	Ansatsnippel 1/4"X1/4"	Straight adaptor male-male 1/4"X1/4"
3	4	11110	Dowtypakning 1/4"	Sealing ring 1/4"
2	4	10275	Dowtypakning 3/8"	Dowty gasket 3/8"
1	4	10071	Ansatsnippel bsp utv/utv 3/8"X3/8"	Straight adaptor bsp male-male 3/8"X3/8"



Loctite på pos. 1

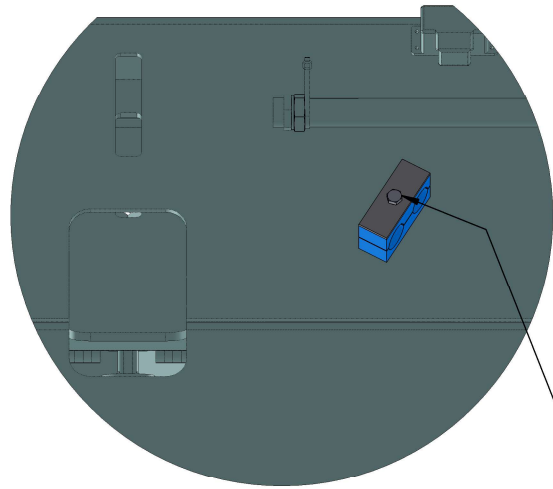
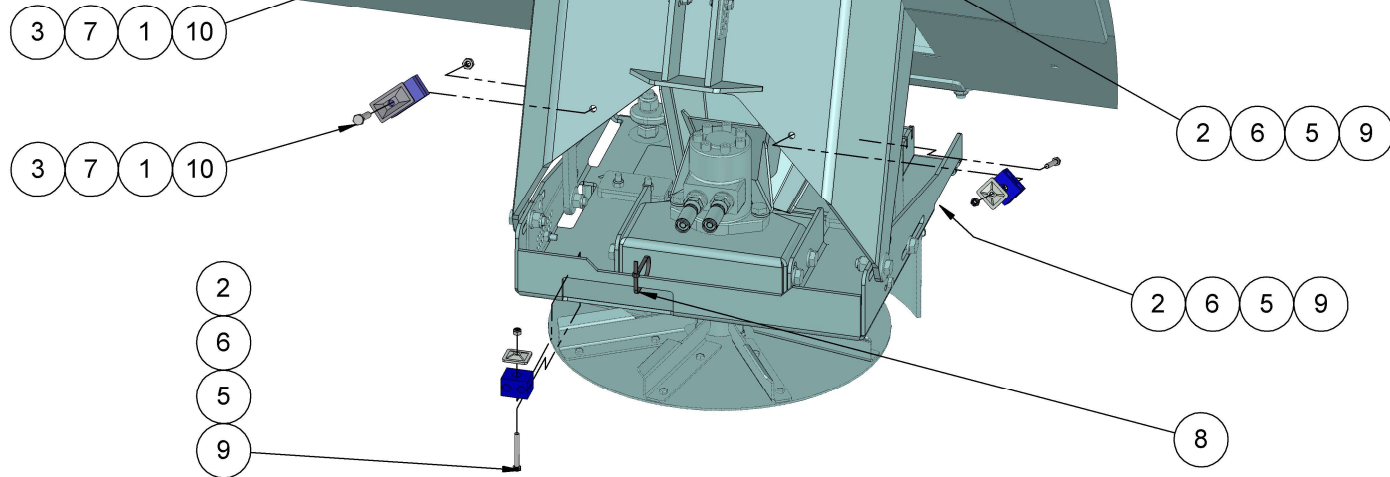
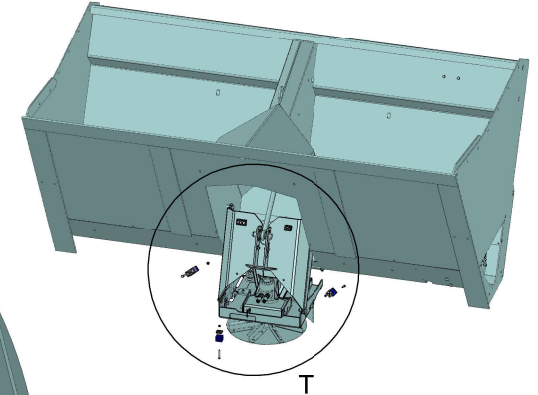
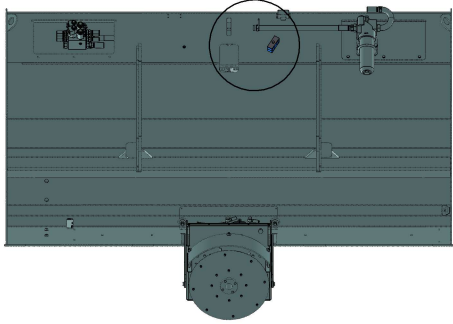
Art. nr. filterpatron: 17613/
Part. no. filter cartridge: 17613



17	1	23417	Filter HPM422F10XNR1 (TSA) lakkert	Filter HPM422F10XNR1 (TSA) painted
16	2	23410	Ansats 90 grader utv/svivel 3/4" x 3/4"	Adaptor 90 degree utv/svivel 3/4" x 3/4"
15	1	23409	3/4" Slange 1700mm 3/4"sv - 3/4"sv (7)	3/4" hose 1700mm 3/4"sv - 3/4"sv (7)
14	1	23408	3/4" Slange 2500mm 3/4" utv - 3/4"sv (1)	3/4" hose 2500mm 3/4" male - 3/4"sv (1)
13	1	22312	Strips 200X4,6mm Rød	Strips 200X4,6mm Red
12	7	21491	Underlagsskive M10 rustfri	Washer M10 A4
11	3	21490	Sekskantskrue M10x25 rustfri	Hex screw M10x25 full threaded A4
10	3	21481	Sekskantskrue M8x25 rustfri	Hex screw M8x25 A4
9	3	21480	Underlagsskive M8 rustfri	Washer M8 A4
8	2	21060	Ansatsnippel bsp utv/utv 1"X3/4"	Straight adaptor male-male 1"X3/4"
7	5	19820	Låsemutter M10 rustfri	Lock nut M10 stainless
6	2	18799	Dowtypakning 1"	Sealing ring 1"
5	1	18593	3/4" Hette med kon	3/4" cap with cone
4	1	17584	Klemme 83mm	Clamp 83mm
3	1	17582	Skrudd brakett for filter TSA	Bolted bracket for filter TSA
2	1	15827	Deksel i topplate	Cover in top plate
1	2	10327	Sekskantskrue M10x20 helgjenget	Hex screw M10x20 full threaded
Pos.	QTY.	Art.no.	Description	EngDescription

DETAIL T

S

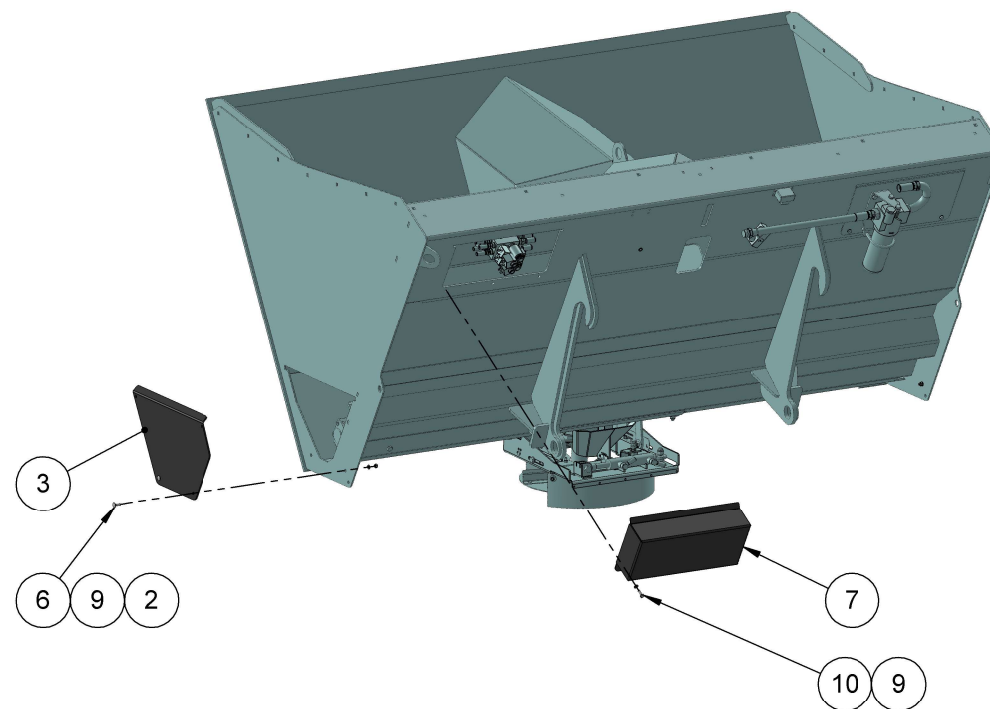
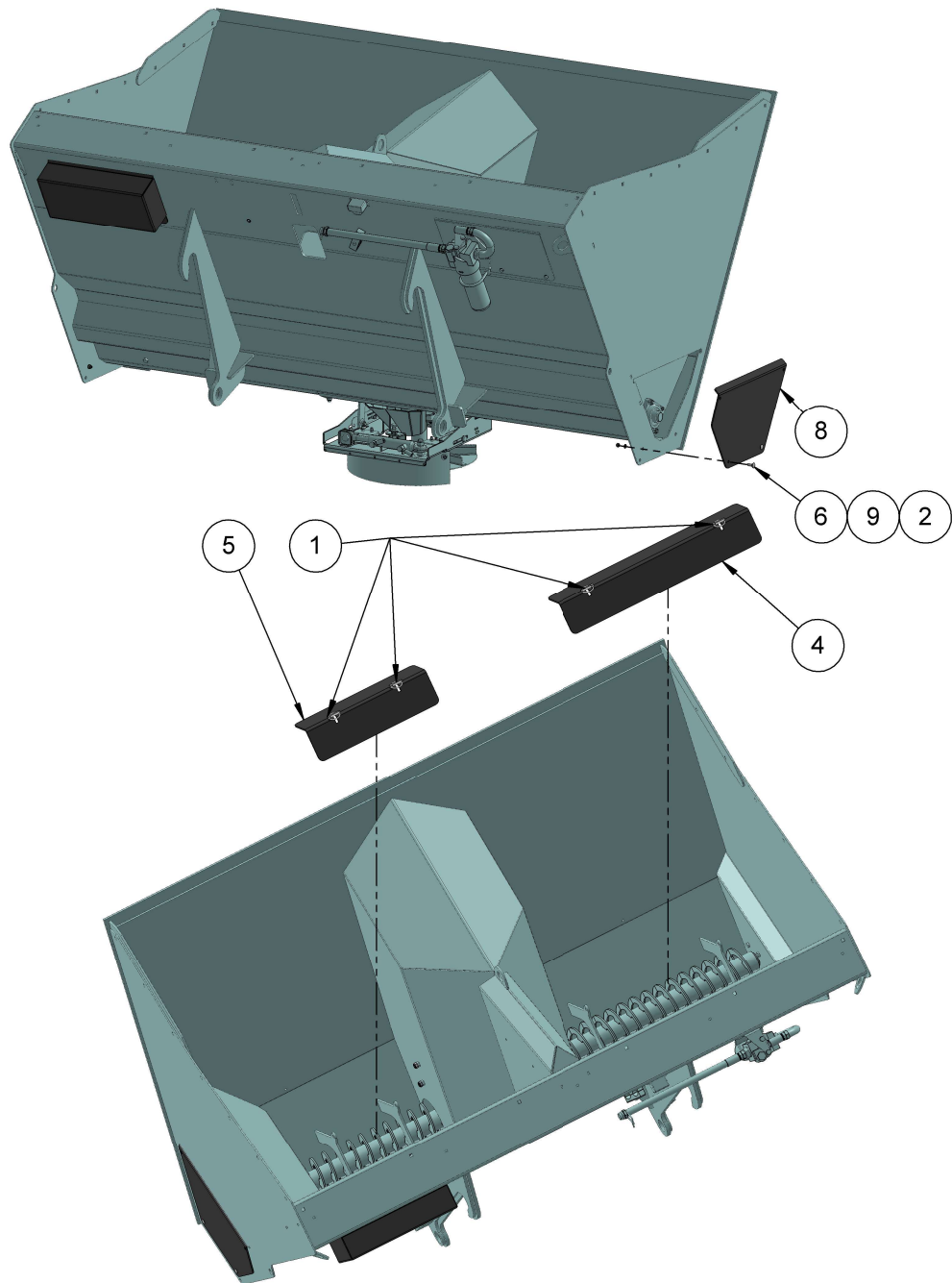


11 4

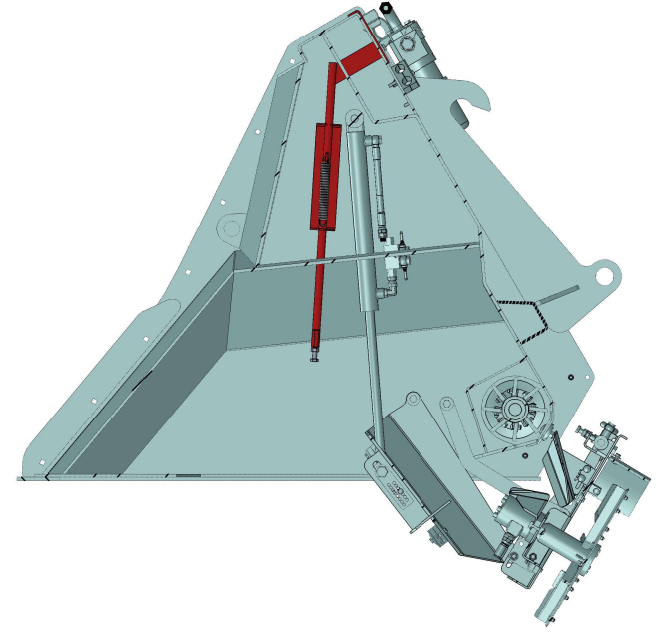
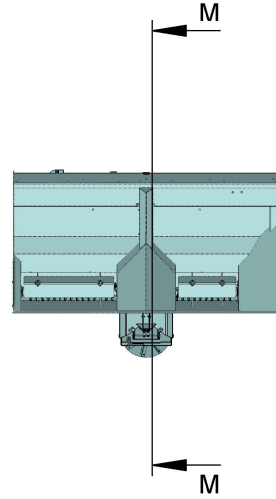
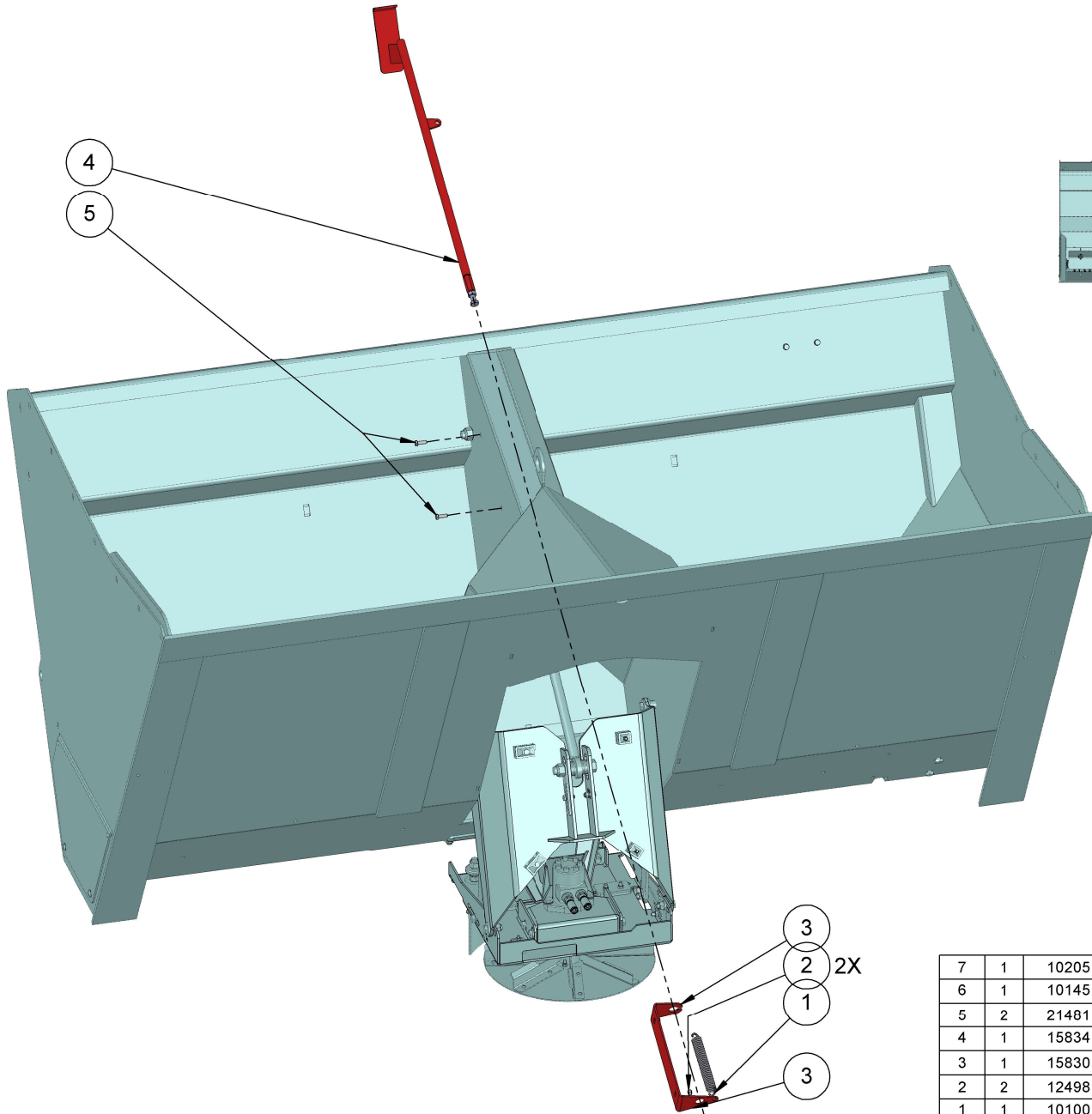
Pos. 11: Loctite

DETAIL S

11	1	11339	Sekskantskrue M8x75 delgjenget	Hex screw M8x75 half threaded
10	2	21487	Sekskantskrue M8x50 delgjenget rustfri	Hex screw M8X50 A4
9	3	21434	Sekskantskrue M6X50 rustfri	Hex screw M6X50 stainless
8	1	20447	Strips 385X7.6mm	Strips 385X7.6mm
7	2	18804	Klammer 15mm dobbel plast sett	Clamp 15mm double plastic set
6	3	18738	Klammer topplate CF-1	Clamp top plate CF-1
5	3	18737	Klammer 12 mm dobbel plast sett	Clamp 12 mm double plastic set
4	1	17593	Klammer 28mm dobbel sett (plast+topplate)	Clamp 28mm double set
3	2	12498	Låsemutter M8 A4	Lock nut M8 A4
2	3	12252	Låsemutter M6 syrefast	Lock nut M6 stainless
1	2	12248-1	Topplate for CF2 klammer	Topp plate clamp CF2
Pos.	QTY.	Art.no.	Description	EngDescription

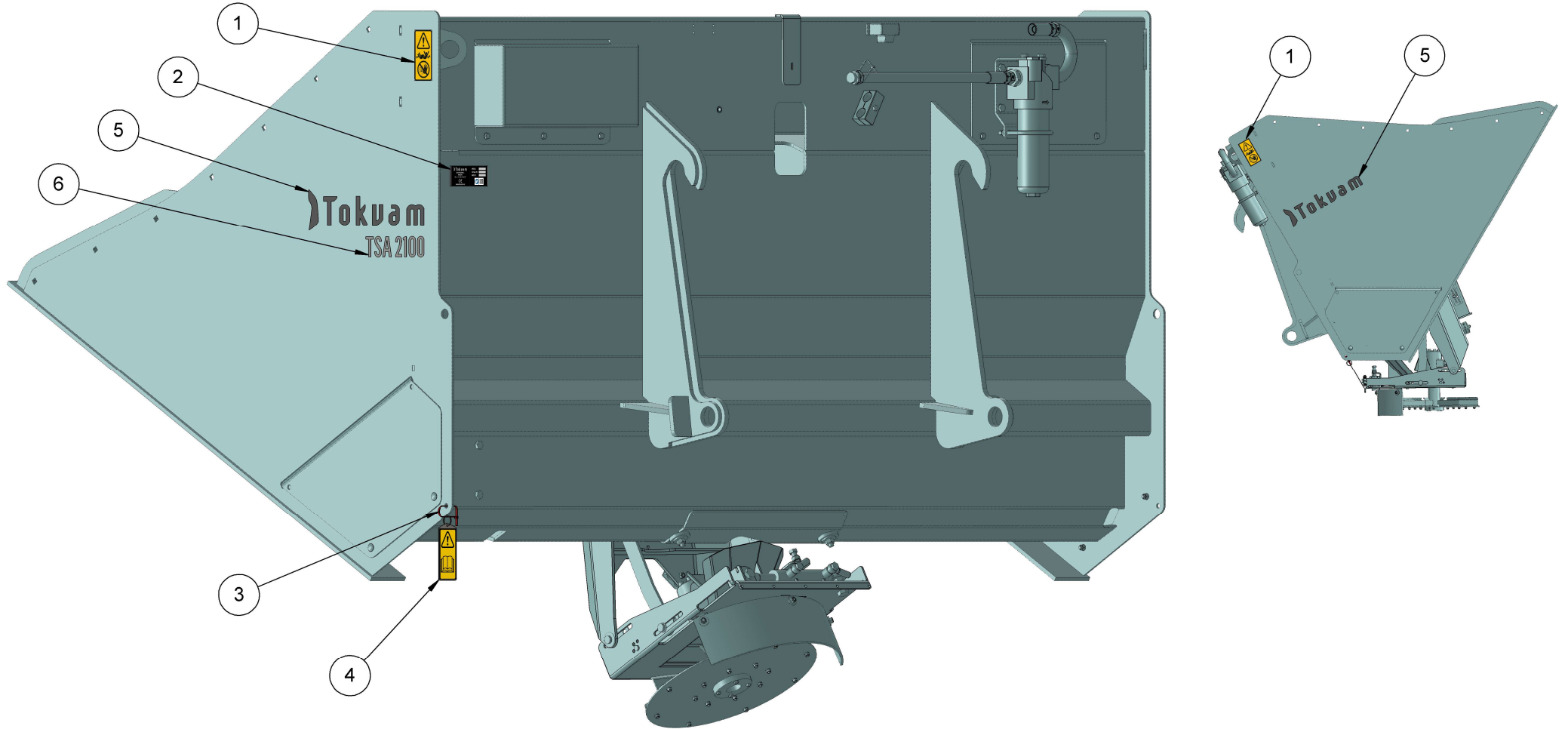


12	2	15310	Låsemutter M12 A4	Lock nut M12 A4
11	2	10032	Låsemutter M12	Lock nut M12
10	5	21481	Sekskantskrue M8x25 rustfri	Hex screw M8x25 A4
9	9	21480	Underlagsskive M8 rustfri	Washer M8 A4
8	1	17672	Side deksel høyre	Side cover right
7	1	17610	Deksel over ventil (CEnr 4712007-)	Cover over valve (CEnr 4712007-)
6	4	16078	Låseskrue M8X25 A4	Carriage screw M8X25 A4
5	1	15016	Løsmøne venstre (kort)	Cover left (short)
4	1	15014	Løsmøne høyre (langt)	Cover right (long)
3	1	15011	Side deksel venstre	Side cover left
2	4	12498	Låsemutter M8 A4	Lock nut M8 A4
1	4	10206	Traktor ringsplint 10 mm	Linch pin 10 mm
Pos.	QTY.	Art.no.	Description	EngDescription



SECTION M-M
SCALE 1 : 15

7	1	10205	Mutter M12	Nut M12
6	1	10145	Sekskantskrue M12x65 helgjenget	Hex screw M12x65 full threaded
5	2	21481	Sekskantskrue M8x25 rustfri	Hex screw M8x25 A4
4	1	15834	Indikator stag	Indicator link
3	1	15830	indikator feste	Indicator attachment
2	2	12498	Låsemutter M8 A4	Lock nut M8 A4
1	1	10100	Fjær strekk/retur	Spring stretch
Pos.	QTY.	Art.no.	Description	EngDescription



6	1	27216	Merke "TSA 2100"	Sticker "TSA 2100"
5	2	26799	Merke "Tokvam grey"	Sticker "Tokvam grey"
4	1	27172	Flaggplate med merke "Les brukerveiledning"	Tag "Read user manual"
3	1	22312	Strips 200X4,6mm Rød	Strips 200X4,6mm Red
1	2	15820	Merke "Advarsel - Roterende deler/Hold avst."	Sticker "Warning - Rotating parts/ keep distance"
Pos.	QTY.	Art.no.	Description	EngDescription